

# Accuride®

## MODEL 3634/3634EC

Heavy-Duty Over Travel Slides  
 3634EC includes Easy-Close  
 3634 Hold-in Detent Feature

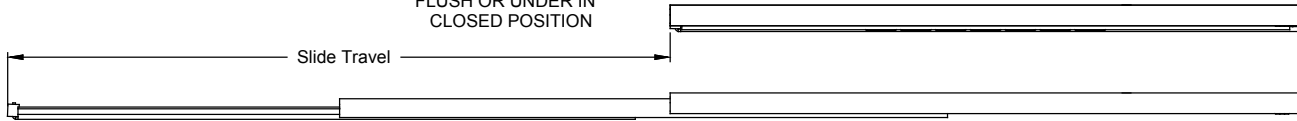
**APPLICATIONS:** Wider drawers and trays used for storage in retail fixtures, restaurants, medical facilities and business offices, as well as residential kitchens, garages, and more.

## 3634/3634EC

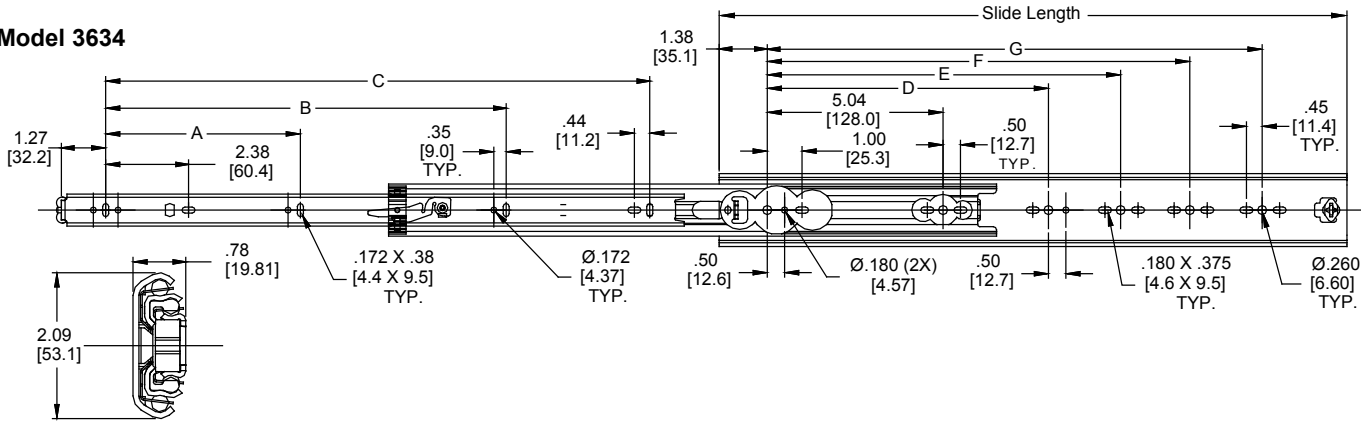
### QUICK REFERENCE

Drawer size: 1 9/16" less than the cabinet opening  
 Lengths: 3634: 12"-28"  
 3634EC: 14"-28"  
 Height: 2.09"  
 Load Rating: 3634: 200 lbs.\*  
 3634EC: 150 lbs.\*

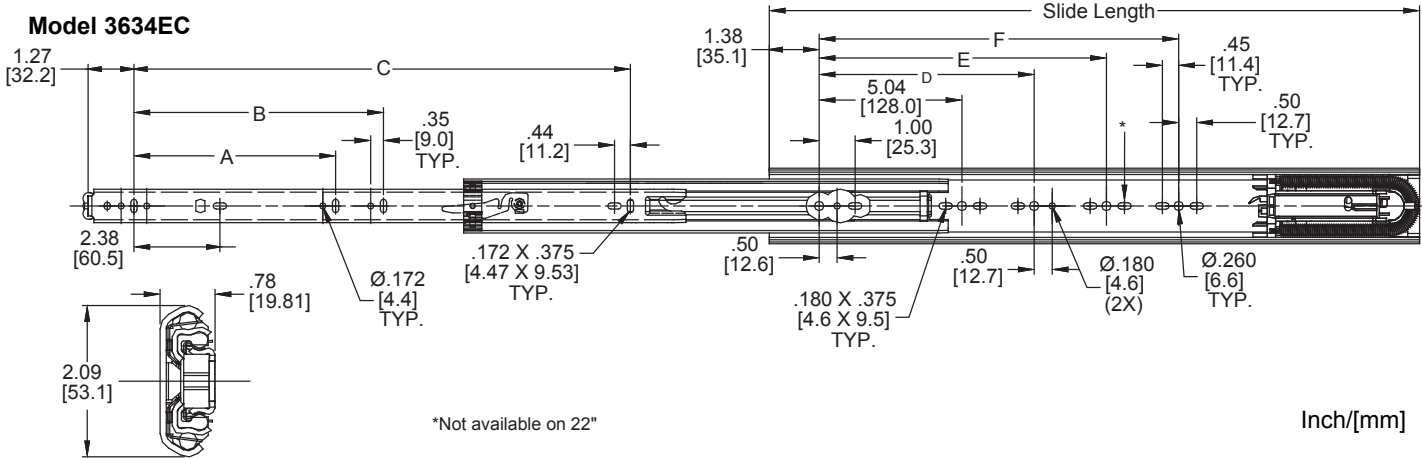
DRAWER MEMBER IS FLUSH OR UNDER IN CLOSED POSITION



### Model 3634



### Model 3634EC



Inch/[mm]

**Finishes:** Clear zinc (C)  
 Black electroplate (CB)

**Lengths:** 3634: 12"-28" [305 mm-711 mm]  
 3634EC: 14"-28" [355 mm-700 mm]

**Height:** 2.09" [53.1 mm]

**Load Rating:** 3634: Side mount: 200 lbs. [91 kg] per pair\*  
 Flat mount: 75 lbs. [34 kg] per pair\*  
 3634EC: Side mount only: 150 lbs. [68 kg]\*\*

**Travel:** 1" [25.4mm] over travel  
 Note: 3634-14" Full travel

**Side Space:** .78 +.000/-.02 [19.8 mm +0/-0.5]

**Recommended**

**Drawer Size:** 1-9/16" [39.69 mm] less than the cabinet opening.

**Disconnect:** Handed lever disconnect

**Mounting:** 3634: side or flat mount  
 3634EC: side mount only

**Hardware:** Flat head 6 mm Euro System screw  
 or #8 pan head screw

**Ball Bearings:** Carburized Steel

**Features:** 3634: Hold-in detent to prevent drawer rollout and bounce-back; In and out stops silenced for quiet operation.

3634EC: Easy-Close brings drawer to a smooth, gentle close; out stop silenced for quiet operation.

\* Side mount testing based on 22" slides on a 42" wide drawer, cycled 50,000 times.

\*\* Flat mount testing based on 22" slides on a 24" wide drawer, cycled 15,000 times.

P/N	Slide Length	Slide Travel	A	B	C	D	E	F	G
3634-12	12.00 [304.8]	13.00 [330.2]			9.60 [243.8]	8.82 [224.0]			
3634-14	14.00 [355.6]	15.00 [381.0]	—		11.60 [294.6]	8.82 [224.0]			
3634EC-14	14.00 [355.6]	14.00 [355.6]	5.58 [141.8]		9.74 [247.4]	—			
3634-16	16.00 [406.4]	17.00 [431.8]	—		13.60 [345.4]	8.82 [224.0]			
3634EC-16	16.00 [406.4]	17.00 [431.8]	5.58 [141.8]		11.74 [298.2]	—			
3634-18	18.00 [457.2]	19.00 [482.6]	5.58 [141.8]	13.12 [333.2]	15.60 [396.2]	8.82 [224.0]	13.86 [352.0]		
3634EC-18	18.00 [457.2]	19.00 [482.6]	5.58 [141.8]	—	14.74 [349.0]	8.82 [224.0]	—		
3634-20	20.00 [508.0]	21.00 [533.4]	5.58 [141.8]	13.12 [333.2]	17.60 [447.0]	8.82 [224.0]	13.86 [352.0]		
3634EC-20	20.00 [508.0]	21.00 [533.4]	5.58 [141.8]	13.12 [333.2]	15.74 [399.8]	8.82 [224.0]	—		
3634-22	22.00 [558.8]	23.00 [584.2]	5.58 [141.8]	13.12 [333.2]	19.60 [497.5]	8.82 [224.0]	13.86 [352.0]	18.90 [480.0]	
3634EC-22	22.00 [558.8]	23.00 [584.2]	5.58 [141.8]	—	17.74 [450.6]	8.82 [224.0]	—	—	
3634-24	24.00 [609.6]	25.00 [635.0]	5.58 [141.8]	16.40 [416.6]	21.60 [548.6]	8.82 [224.0]	13.86 [352.0]	18.90 [480.0]	
3634EC-24	24.00 [609.6]	25.00 [635.0]	5.58 [141.8]	16.40 [416.6]	19.74 [501.4]	8.82 [224.0]	13.86 [352.0]	—	
3634-26	26.00 [660.4]	27.00 [685.8]	5.58 [141.8]	16.40 [416.6]	23.60 [599.4]	8.82 [224.0]	13.86 [352.0]		21.42 [544.0]
3634EC-26	26.00 [660.4]	27.00 [685.8]	5.58 [141.8]	16.40 [416.6]	21.74 [552.2]	8.82 [224.0]	13.86 [352.0]		—
3634-28	28.00 [711.2]	29.00 [736.6]	5.58 [141.8]	16.40 [416.6]	25.60 [650.2]	8.82 [224.0]	13.86 [352.0]	—	21.42 [544.0]
3634EC-28	28.00 [711.2]	29.00 [736.6]	5.58 [141.8]	13.12 [333.2]	23.74 [603.0]	8.82 [224.0]	13.86 [352.0]	18.90 [480.0]	—

## Installation Instructions

**IMPORTANT:** Drawer Preparation: for optimal performance construct drawer 1-9/16" less than the cabinet opening.

### Cabinet Member Installation – Side Mount

- To separate slide members, extend slide to expose lever, actuate lever and remove drawer member.

Install cabinet (large) member first. For applications with an overlay drawer front, refer to Figure 1 for conventional mounting. For applications with an inset drawer front, set the slide back the thickness of the drawer front plus 1/8" [3.2 mm].

### 32 mm System

- Install cabinet members using 6 mm x 10 mm Euro screws. Be sure slides are parallel. Refer to Figure 1.1 for cabinet hole locations.

**NOTE:** Due to the heavy load capability and limitations of screw retention in wood products, Accuride recommends the use of two #10 screws, 3/4" long, at the front of the cabinet member and at least one at the rear. The hole pattern on the cabinet member matches Models 3832/3834.

Figure 1. 3634 Conventional Mounting – Cabinet

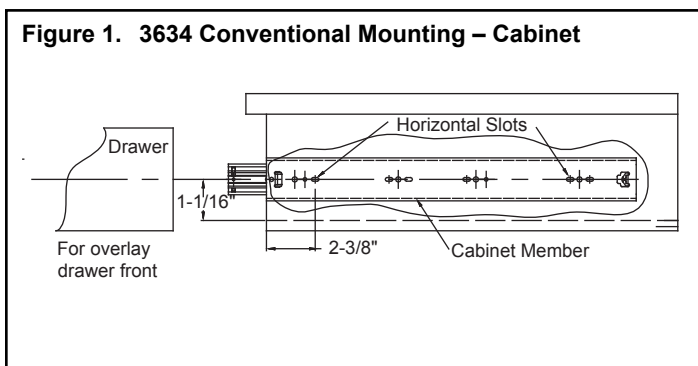


Figure 1.1. 3634 32mm System – Cabinet

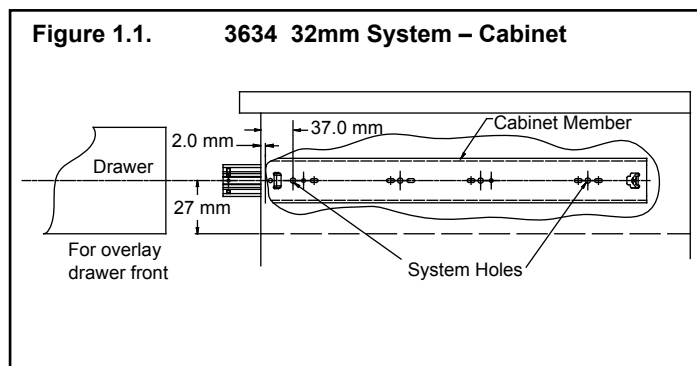


Figure 1. 3634EC Conventional Mounting – Cabinet

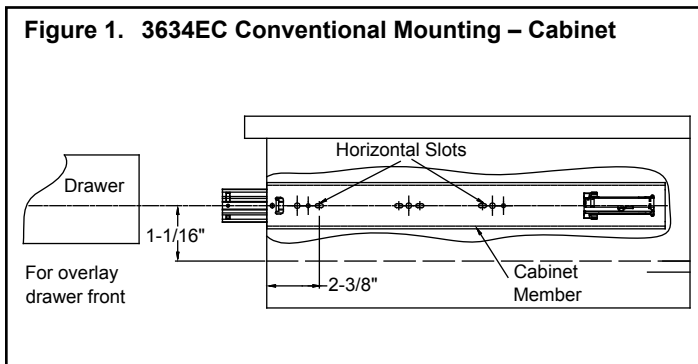
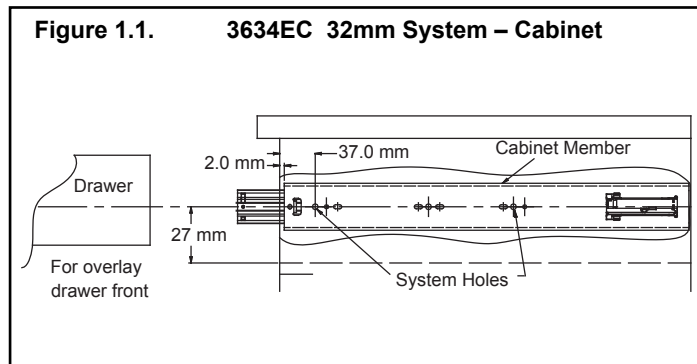


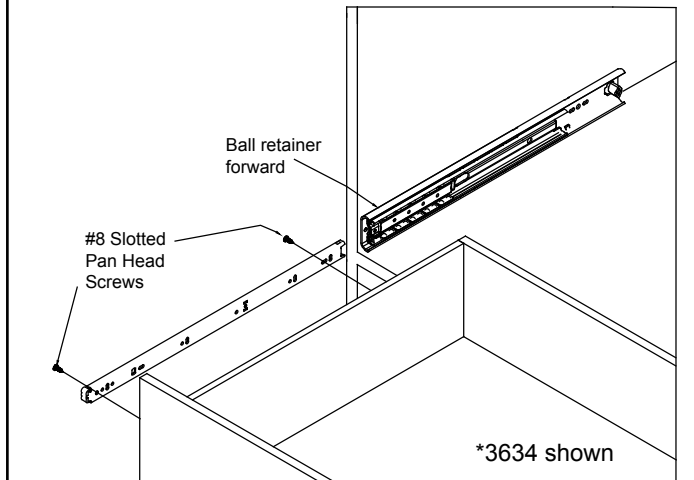
Figure 1.1. 3634EC 32mm System – Cabinet



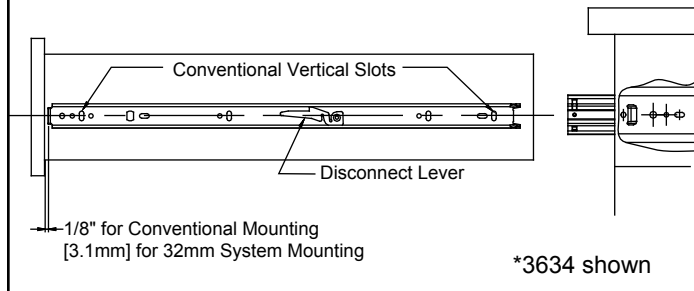
## Install Drawer Member

2. Mount inner member (smallest) to drawer using #8 slotted pan head screws. See Figure 1.2 and Figure 1.3. Leave all screws loose until final adjustment.
3. Before installing the drawer member into the cabinet, be sure the ball retainers in the cabinet are fully forward. Install drawer into cabinet. Close the drawer and cycle.
4. Adjust slide position until movement is smooth. Install additional set screws to secure and tighten to complete installation.

**Figure 1.2. 3634 Drawer Member Installation – Conventional Mounting**



**Figure 1.3. 3634EC Drawer Member Installation – Conventional Mounting**



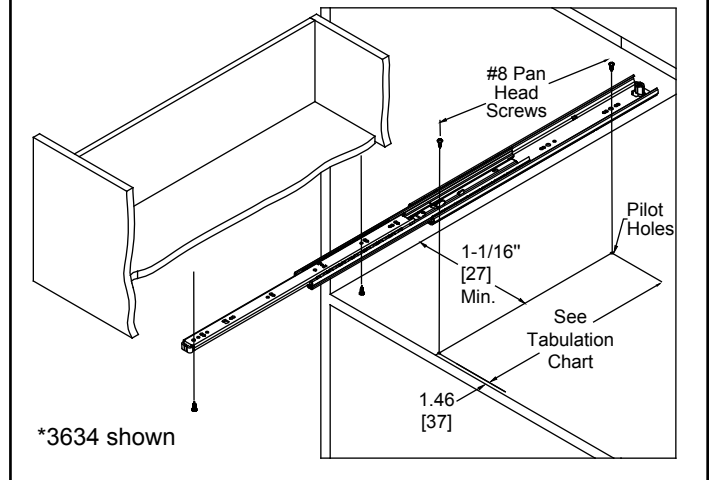
## Under/Flat Mount Installation

1. Install cabinet members on cabinet floor, making sure slides are parallel. Secure in place. (Figure 2)
2. Position drawer members under drawer bottom 1/8" from the back of the drawer face (overlay drawer). Install screws through mounting holes into the bottom of the drawer.

**Minimum Screw Length = Drawer Bottom Thickness - 1/16" (1/2" Drawer Bottom Thickness Minimum)**

3. Before installing the drawer into the cabinet, be sure the ball retainer in the cabinet member is fully forward. Install drawer into cabinet. Close the drawer and cycle.

**Figure 2. Under/Flat Mount Installation**



## Ordering Instructions

Complete your slide order for models 3634 and 3634EC specifying the following:

	<u>100</u>	<u>Pair</u>	<u>C</u>	<u>3634</u>	<u>-18</u>	<u>EC</u>	<u>D</u>
Total Required Slides	_____						
Slide Finish	_____						
Slide Model	_____						
Slide Length	_____						
Easy-Close Feature	_____						
Optional Polybag Packaging	_____						

## Packaging Options

**Models 3634, 3634EC available in D-pack or bulk packaging.**

**Distributor (D) Pack:** All lengths are packaged 5 pair per box. Polybag includes one pair of slides with mounting screws.

**Bulk (P) Pack:** All lengths are packaged 5 pair per box. Slides and screws are ordered and packaged separately.

## Specifications

Slide members and ball retainers: Cold rolled steel

Ball bearings: Carburized steel

RoHS compliant

**NOTE:** Specifications, materials, prices, terms, and delivery are subject to change without notice.

# Accuride

ACCURIDE INTERNATIONAL INC.

12311 Shoemaker Avenue  
Santa Fe Springs, CA 90670

TEL (562) 903-0200

FAX (562) 903-0208

www accuride.com

Manufacturing, Engineering, and Sales

United States • Germany • Japan • Mexico • United Kingdom • China

Copyright © 2015 Accuride International Inc. 3700-9559(1262)-MK981-N-0515