

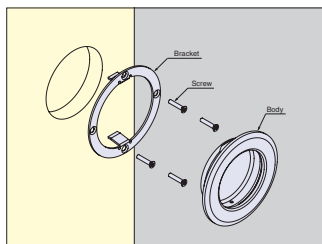
# Zwei L Recessed Pull



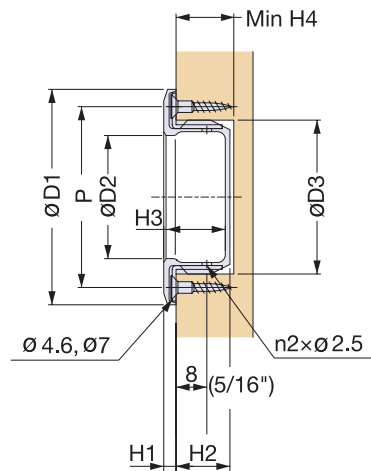
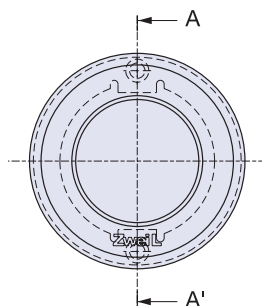
ZL-2501



- Ideal for sliding doors.
- Supplied with stainless steel wood screws (3.1 × 16).



Installation



Cross-section (A-A') View

Item No.	D2	P	D1	H2	H1	H3	D3	H4	n1	n2	Weight (g)	Box (pcs)
ZL-2501-56	32	47	56	14	3.2	16.0	40	15	2	4	93	1
ZL-2501-80	50	70	80	14	4.0	16.5	62	15	4	2	196	1
ZL-2501-125	80	112	125	16	5.0	20.0	100	17	4	4	610	1

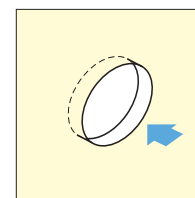
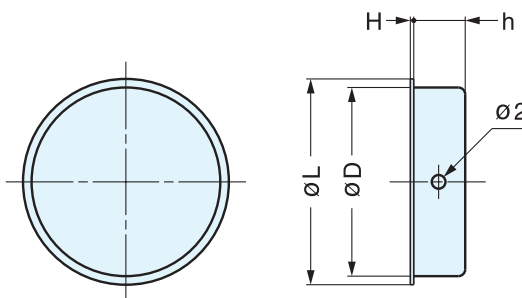
No.	Part Name	Material	Finish/Color
①	Pull	316 Stainless Steel	Zwei L
②	Mounting Bracket	316 Stainless Steel	Plain

# RECESSED PULL



RP

- Ideal for sliding doors.
- Affix with glue or tack.



Installation

Item No.	L	H	h	D	Weight (g)	Box (pcs)	Carton (pcs)
RP-30	30 ( 1-3/16" )	0.5	7.5 ( 19/64" )	27.5	4.0	100	3600
RP-37	36 ( 1-27/64" )		8.5 ( 21/64" )	31.5	6.0		
RP-45	46 ( 1-13/16" )		41.0	9.5			
RP-60	60 ( 2-23/64" )		53.5	15.0	50	1200	
RP-80	80 ( 3-5/32" )		71.0	25.5	25	500	

Material	Finish
304 Stainless Steel	Satin